

ROADWIDENER[®]



SHOULDERING AND SIDE PAVER ATTACHMENT

PATENTED TECHNOLOGY

FH-R MODELS

SINGLE AND DUAL DISCHARGE
WITH REMOTE

FH MODELS

SINGLE AND DUAL DISCHARGE

Lays down any and all aggregates

Connects to any machine

*Ideal for Shouldering, Asphalt
Patching, Trench Backfilling, Road
Widening, Curb Backfilling*



1-844-494-3363 | Sales@RoadWidenerLLC.com

www.RoadWidenerLLC.com

“More Flexible. More Portable. More Profitable.”

A Must-Have for Efficiency and Productivity

Patented Road Widener attachments are essential for state and municipal highway departments, road and highway contractors, utility contractors, and landscapers seeking greater operating efficiency and productivity in aggregate dispersal. Applications include shoulder rehabilitation, road widening, asphalt patching, trench backfilling, and other aggregate dispersal applications.

Road Widener LLC. manufactures the most flexible and portable road wideners on the market. They offer the best cost/ton ratio when compared to traditional methods of laying aggregate, or large road wideners. Road Widener attachments are applicable for both skid steers and larger machines.



All attachments are equipped with a heat-treated belt, creating a versatile machine that can lay down any material, including hot mixes.



Road Widener attachments are designed to connect via a quick-connect coupler; however, with an adapter we can be added to any machine.



"Mill and fill" has never been easier.

FH and FH-R attachments are available as either a single discharge or a dual discharge. Single discharge attachments are available in either a left or a right discharge.

FH models feature spool valve controls on the machine that control the lay-down width and slope. FH-R models have taken the controls off of the machine and put them in the palm of an operator's hand via a wireless remote control.

All Road Widener attachments are designed to fit on any machine and are capable of laying down any material, making them the most versatile lay-down solution on the market.

With the optional shoe extension kit, you can extend the shoe an additional 1 foot. If a greater extension is required, contact Road Widener.



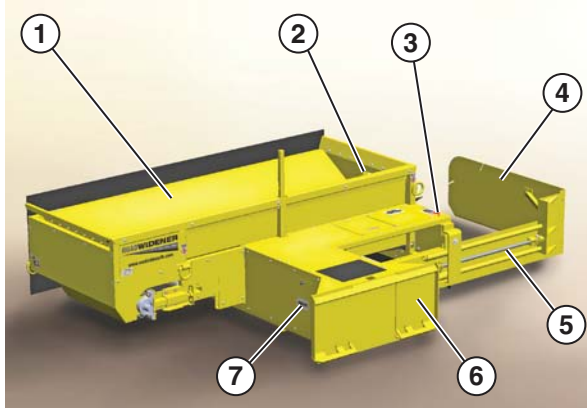
The optional curb backfilling attachment allows operators to backfill parallel to the curb rather than working against the curb.



Trench backfilling with the FH Model.

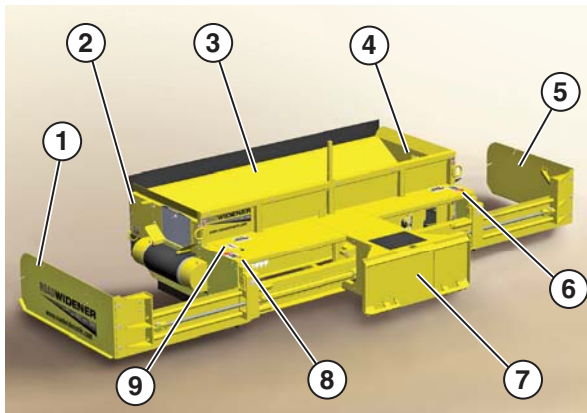


Rollers are adjustable to accommodate various truck axles.



Equipment Single Discharge

1. Hopper
2. Discharge Opening
3. LED Light
4. Shoe
5. Adjustable Slope Angle
6. Universal Mounting Pad
7. Remote Storage



Equipment Dual Discharge

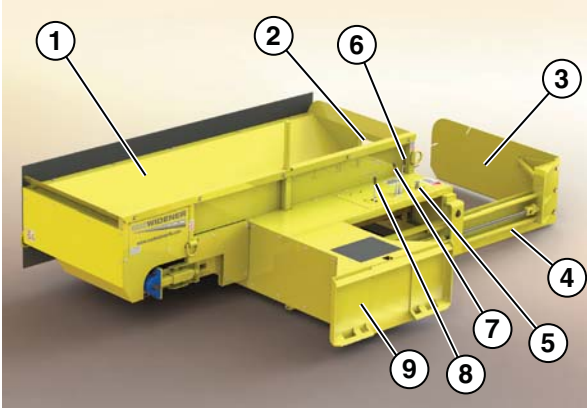
1. Left Shoe
2. Left Side Discharge
3. Hopper
4. Right Side Discharge
5. Right Shoe
6. Right Side LED
7. Universal Mounting Pad
8. Left Side LED
9. Remote Storage

Specifications

	Single Discharge	Dual Discharge
Lay Down Widths	1 ft. to 4 ft. (30 to 123 cm)	1 ft. to 4 ft. (30 to 123 cm)
Hydraulic Requirements	Standard Flow 17.5 to 24.2 gpm (66.2 to 41.6 lpm)	Standard Flow 17.5 to 24.2 gpm (66.2 to 41.6 lpm)
Empty Weight	2,900 lb (1,315 kg)	3,400 lb (1,542 kg)
Overall Width shoe extended	161 in. (409 cm)	210 in. (533 cm)
Overall Width shoe retracted	125 in. (317 cm)	138 in. (350 cm)
Overall Height	51 in. (130 cm)	51 in. (130 cm)
Overall Length	98 in. (249 cm)	98 in. (249 cm)
Height to Clear Push Roller	21 in. (53 cm)	21 in. (53 cm)
Conveyor Belt Length and Width (head to tail stock center length)	8 ft. (2.4 m) x 20 in. (508 mm)	9.5 ft. (2.9 m) x 21 in. (533 mm)
Power Requirements	12 Volt / 15 Amp	12 Volt / 15 Amp

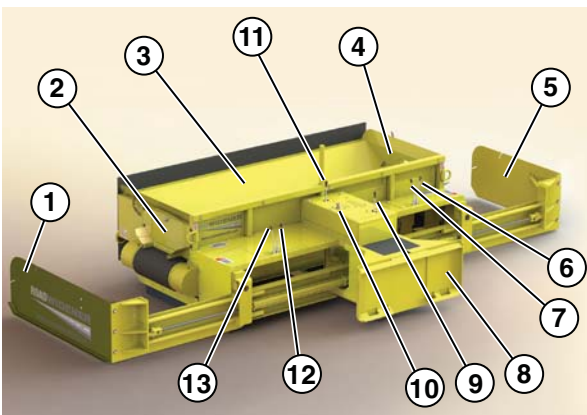


Remote control



Equipment Single Discharge

- 1. Hopper
- 2. Discharge Opening
- 3. Shoe
- 4. Adjustable Slope Angle
- 5. Belt Speed Control Knob
- 6. Shoe In/Out Lever
- 7. Slope Up/Down Lever
- 8. Belt On/Off Lever
- 9. Universal Mounting Pad



Equipment Dual Discharge

- 1. Left Shoe
- 2. Left Side Discharge
- 3. Hopper
- 4. Right Side Discharge
- 5. Right Shoe
- 6. Right Shoe In/Out Lever
- 7. Right Slope Up/Down Lever
- 8. Universal Mounting Pad
- 9. Belt On/Off Lever
- 10. Belt Speed Control
- 11. Shoe Selection Control Lever
- 12. Left Shoe In/Out Lever
- 13. Left Slope Up/Down Lever

Specifications

	Single Discharge	Dual Discharge
Lay Down Widths	1 ft. to 4 ft. (30 to 123 cm)	1 ft. to 4 ft. (30 to 123 cm)
Hydraulic Requirements	Standard Flow 17.5 to 24.2 gpm (66.2 to 41.6 lpm)	Standard Flow 17.5 to 24.2 gpm (66.2 to 41.6 lpm)
Empty Weight	2,900 lb (1,315 kg)	3,400 lb (1,542 kg)
Overall Width shoe extended	161 in. (409 cm)	210 in. (533 cm)
Overall Width shoe retracted	125 in. (317 cm)	138 in. (350 cm)
Overall Height	51 in. (130 cm)	51 in. (130 cm)
Overall Length	98 in. (315 cm)	98 in. (249 cm)
Height to Clear Push Roller	21 in. (53 cm)	21 in. (53 cm)
Conveyor Belt Length and Width (head to tail stock center length)	8 ft. (2.4 m) x 20 in. (508 mm)	9.5 ft. (2.9 m) x 21 in. (533 mm)

SKID STEER ATTACHMENT OPTIONS



Additional roller extensions



Pintle hitch push plate



Curbing attachment



Shoe extension

Benefits and Features

While the Road Widener skid steer attachment is smaller than traditional road wideners, it is big on benefits, efficiency and features.

- On FH-R models all functions are controlled by remote control
- Easily maneuvered around guardrails, sign posts, mailbox posts and other obstructions
- Transported on common-width trailers pulled by a pick-up truck
- Precise operator control over flow and placement of material
- Disperses a 20-ton load of aggregate in minutes
- Left- or right-hand material dispersal
- Works with any make of skid steer or compact track loader with an attachment plate
- Adaptable to wheel loaders and graders, inquire with a dealer or call us!
- Wheel-turning extensions available to fit all types of dump trucks
- Low operating cost
- 360-degree steerable front end
- Ability to easily disperse gravel, asphalt (includes asphalt-ready heat-treated belt) and topsoil
- Can be used for trench repairs
- Durable and reliable to give you years of service

Dealer Information

Road Widener LLC products are available through our extensive dealer network. We continue to expand our dealer network both domestically and internationally. Please contact us to learn more about dealers in your area or about becoming a dealer.



Made in America



Road Widener LLC

Contact Us: 844-4WIDENER (844-494-3363)

sales@roadwidenerllc.com

www.roadwidenerllc.com



Made in the USA.